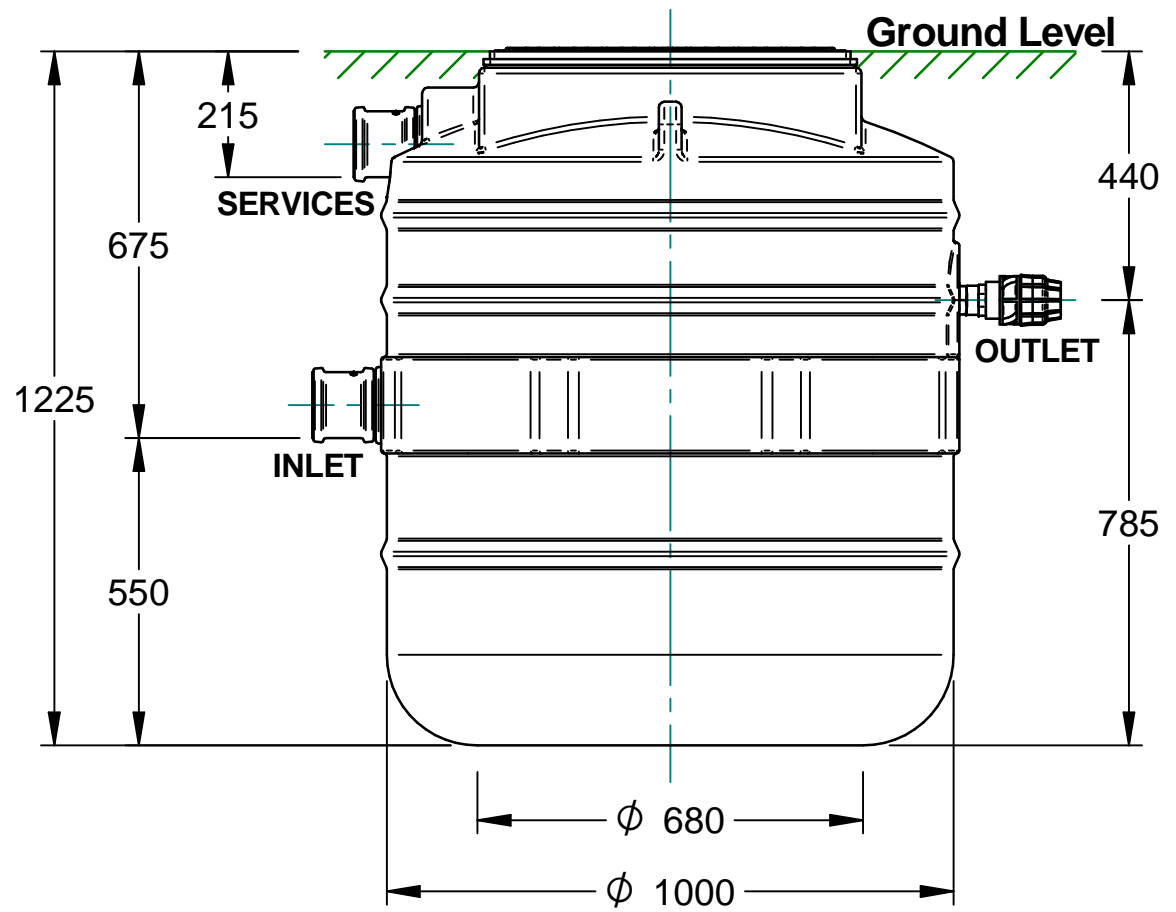
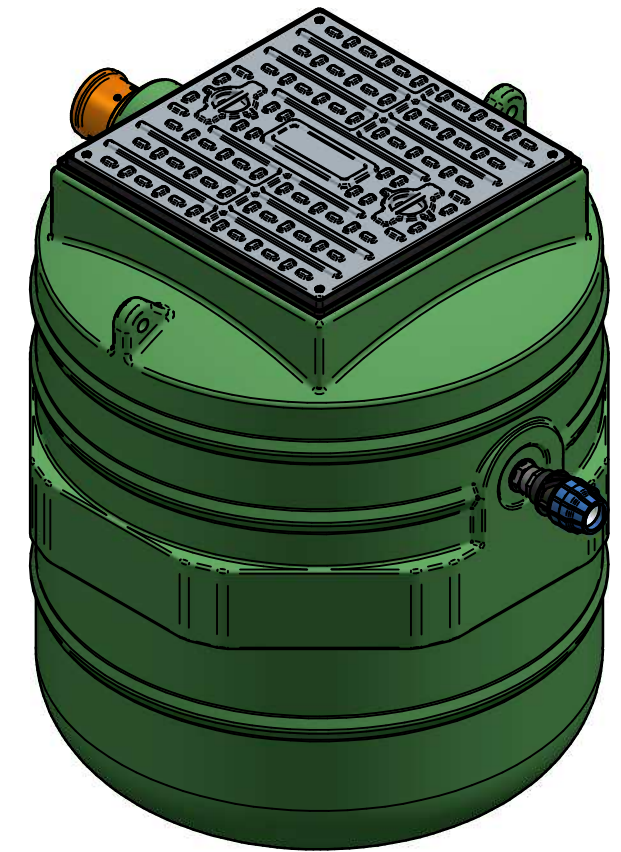
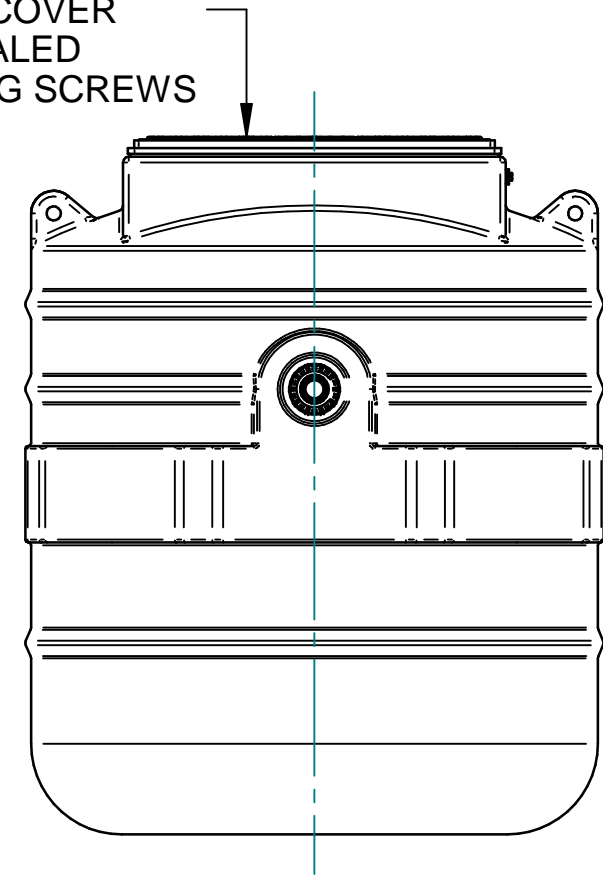


OUTLET SIZE:
50MM FOR EFFLUENT / WATER
63MM FOR SEWAGE



600x600MM COVER
DOUBLE SEALED
C/W LOCKING SCREWS



Available in single or twin pump configurations for rain water, effluent or sewage

THE INFORMATION, DATA, AND DRAWINGS EMBODIED IN THIS DOCUMENT ARE STRICTLY CONFIDENTIAL AND ARE SUPPLIED WITH THE UNDERSTANDING THAT THEY WILL NOT BE DISCLOSED TO ANY THIRD PARTIES WITHOUT THE PRIOR WRITTEN CONSENT OF HARLEQUIN MANUFACTURING LTD COPYRIGHT Sole property of Harlequin Manufacturing Ltd All rights reserved			UNLESS OTHERWISE SPECIFIED: DIMENSIONS ARE IN MM LINEAR TOLERANCE ± 0.25mm, ANGLES ±0.5° DO NOT SCALE DRAWING - Use Figure Dimensions Only IF IN DOUBT, ASK		TITLE: 800LT Pump Station NOTES:		DWG NO: 17-002-001 REVISION: 00 SHEET: 1 of 1 FILE NAME: 800LT Pump Station.dft		ISSUE DATE: 01/07/2020 DRAWN BY: JC		Harlequin MANUFACTURING FOR TOMORROW Harlequin Manufacturing Ltd 21 Clarehill Road Moira Co. Armagh BT67 0PB www.harlequin-mfg.com	
Revision	Issue Date	ECN Reference										