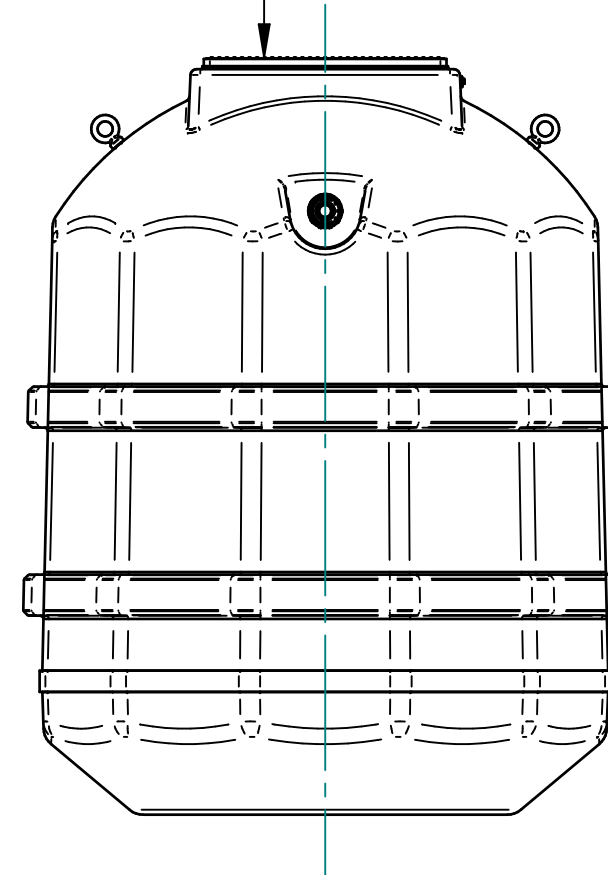


600x600MM COVER  
DOUBLE SEALED  
C/W LOCKING SCREWS



Available in single or twin pump configurations for rain water, effluent or sewage

Revision	Issue Date	ECN Reference	<p>THE INFORMATION, DATA, AND DRAWINGS EMBODIED IN THIS DOCUMENT ARE STRICTLY CONFIDENTIAL AND ARE SUPPLIED WITH THE UNDERSTANDING THAT THEY WILL NOT BE DISCLOSED TO ANY THIRD PARTIES WITHOUT THE PRIOR WRITTEN CONSENT OF HARLEQUIN MANUFACTURING LTD</p> <p><b>COPYRIGHT Sole property of Harlequin Manufacturing Ltd All rights reserved</b></p>	<p>UNLESS OTHERWISE SPECIFIED: DIMENSIONS ARE IN MM LINEAR TOLERANCE <math>\pm 0.25\text{mm}</math>, ANGLES <math>\pm 0.5^\circ</math></p> <p>DO NOT SCALE DRAWING - Use Figure Dimensions Only</p> <p><b>IF IN DOUBT, ASK</b></p>	<p>TITLE: <b>2700LT Pump Station</b></p> <p>NOTES:</p>	<p>DWG NO: 17-006-001</p> <p>REVISION: 00</p> <p>SHEET: 1 of 1</p> <p>FILE NAME: 2700LT Pump Station.dft</p>	<p>ISSUE DATE: 01/11/2023</p> <p>DRAWN BY: JC</p>	<p>Harlequin<sup>®</sup> MANUFACTURING FOR TOMORROW</p> <p>Harlequin Manufacturing Ltd 21 Clarehill Road Moira Co. Armagh BT67 0PB www.harlequin-mfg.com</p>
----------	------------	---------------	---	--	--	--	---	--