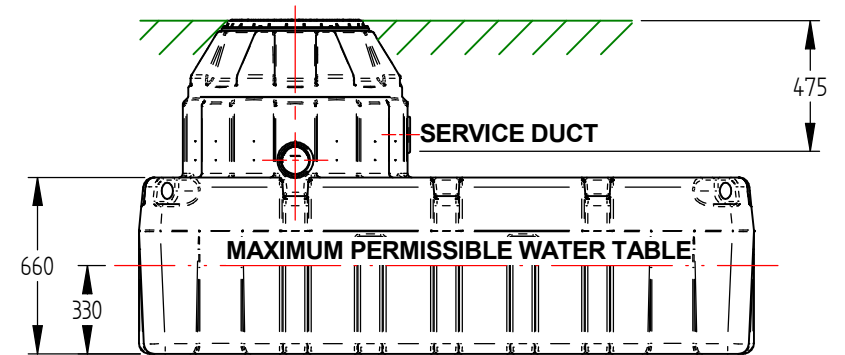
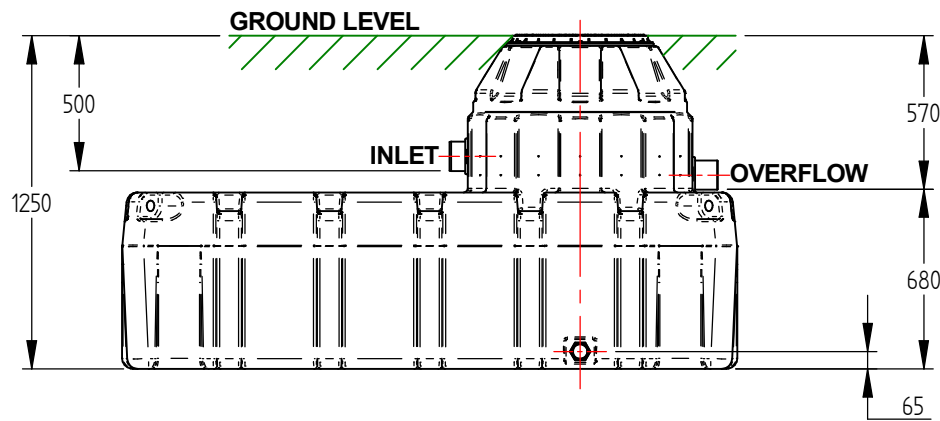
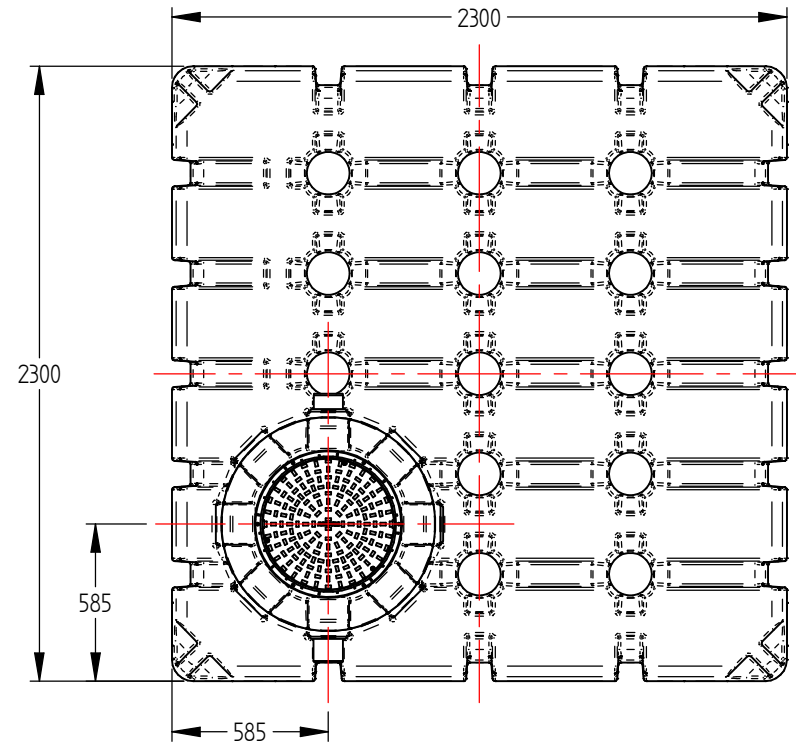




TANK 1 OF 2



Revision	Issue Date	ECN Reference

THE INFORMATION, DATA, AND DRAWINGS EMBODIED IN THIS DOCUMENT ARE STRICTLY CONFIDENTIAL AND ARE SUPPLIED WITH THE UNDERSTANDING THAT THEY WILL NOT BE DISCLOSED TO ANY THIRD PARTIES WITHOUT THE PRIOR WRITTEN CONSENT OF HARLEQUIN MANUFACTURING LTD
COPYRIGHT Sole property of Harlequin Manufacturing Ltd. All rights reserved

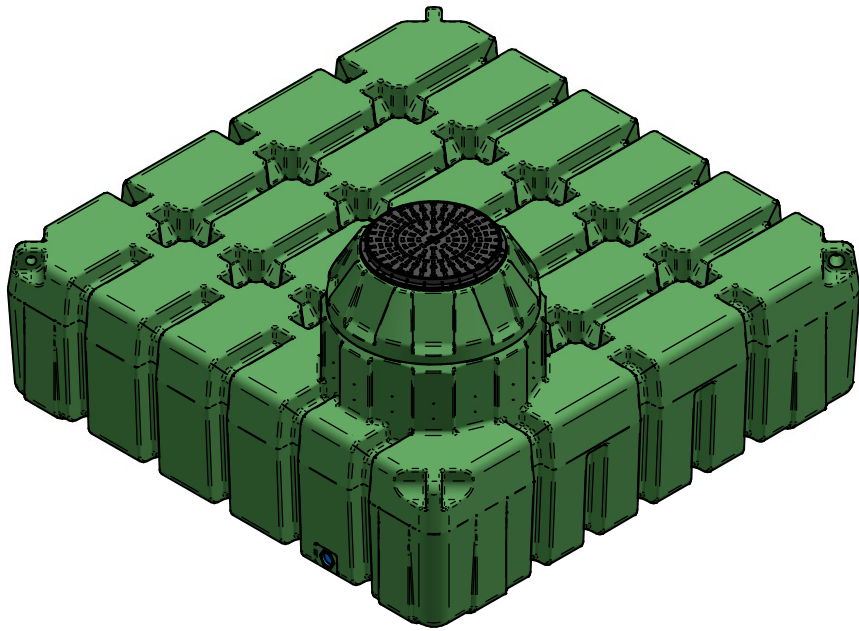
UNLESS OTHERWISE SPECIFIED, DIMENSIONS ARE IN MM
 LINEAR TOLERANCE ± 5.0mm, ANGLES ±0.5°
 DO NOT SCALE DRAWING - Use Figure Dimensions Only
IF IN DOUBT, ASK

TITLE: **5800LT HydroStore**
 NOTES:

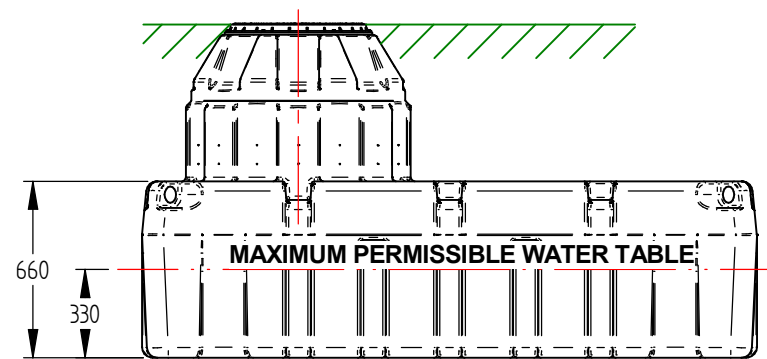
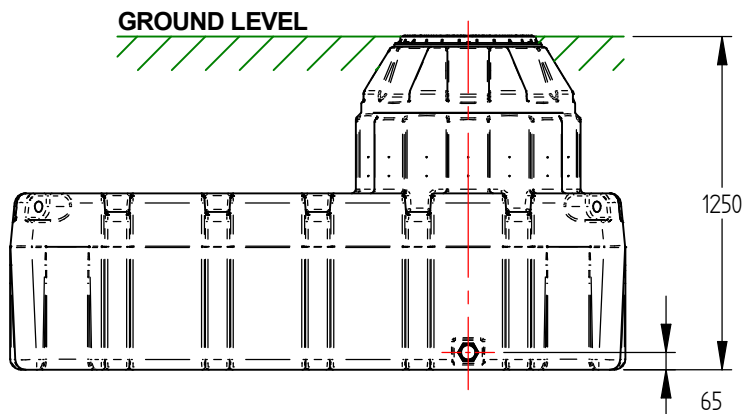
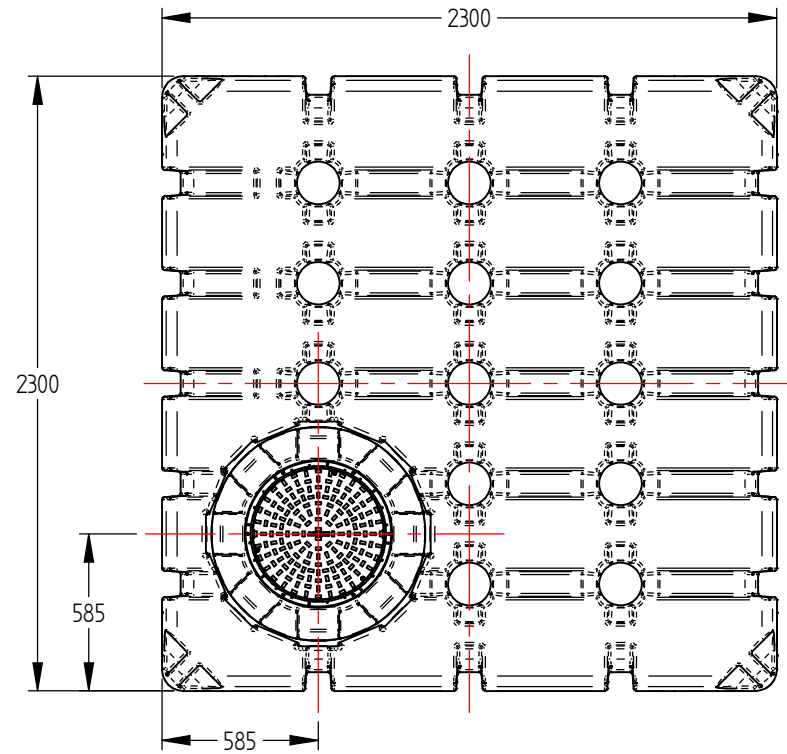
DWG NO: 14-018-001	ISSUE DATE: 01/08/2018
REVISION: 00	DRAWN BY: JC
SHEET: 1 of 3	
FILE NAME: RWH5800.dft	



Harlequin Manufacturing Ltd
 21 Clarendon Road
 Moira
 Co. Armagh
 BT67 0PB
 www.harlequin-mfg.com



TANK 2 OF 2



Revision	Issue Date	ECN Reference

THE INFORMATION, DATA, AND DRAWINGS EMBODIED IN THIS DOCUMENT ARE STRICTLY CONFIDENTIAL AND ARE SUPPLIED WITH THE UNDERSTANDING THAT THEY WILL NOT BE DISCLOSED TO ANY THIRD PARTIES WITHOUT THE PRIOR WRITTEN CONSENT OF HARLEQUIN MANUFACTURING LTD
COPYRIGHT Sole property of Harlequin Manufacturing Ltd. All rights reserved

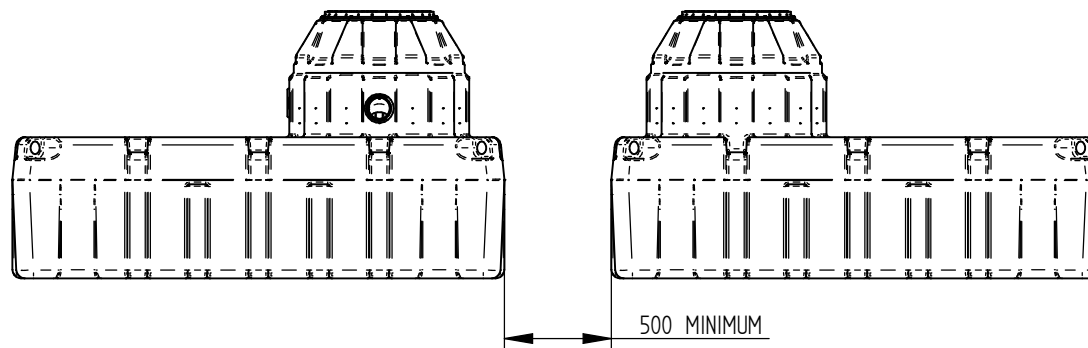
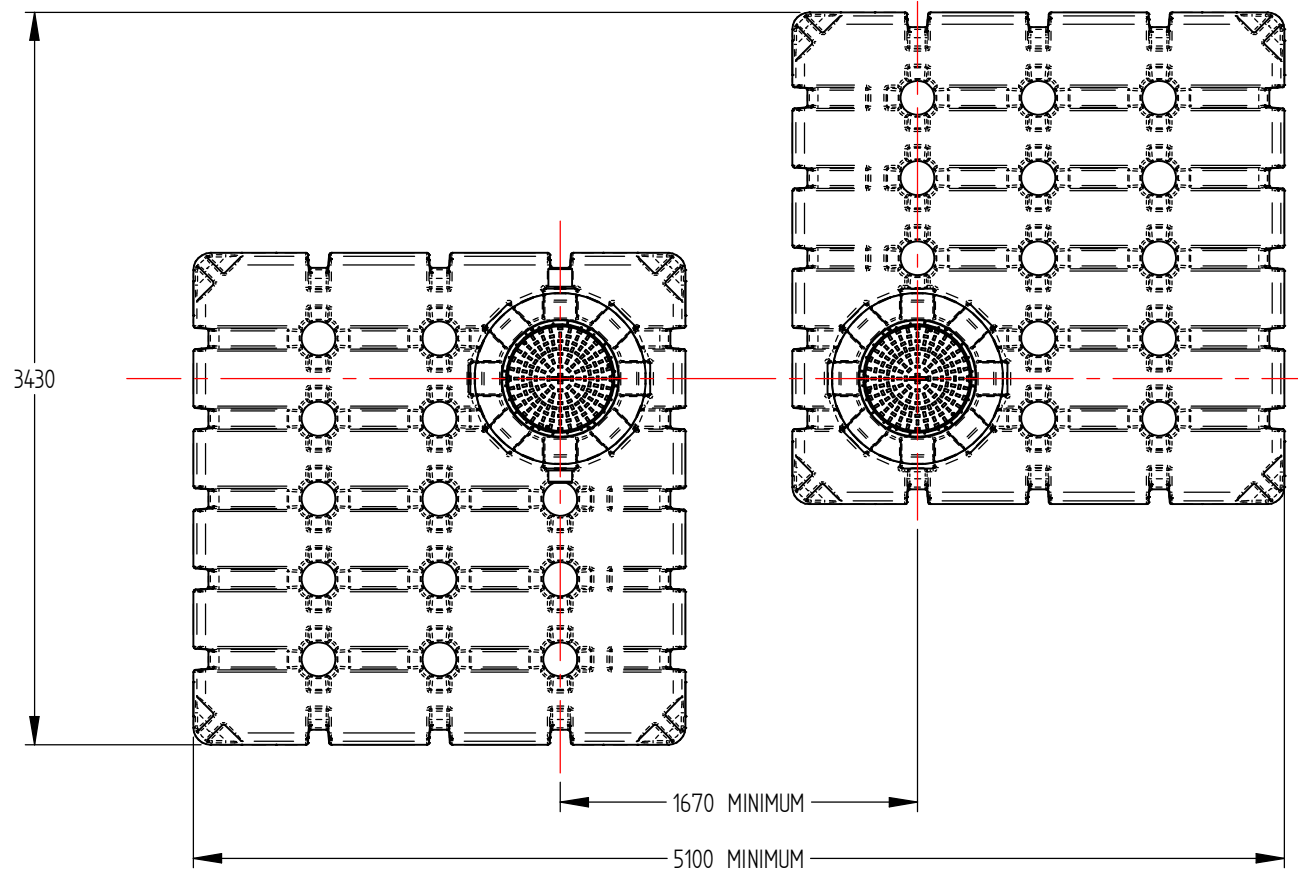
UNLESS OTHERWISE SPECIFIED: DIMENSIONS ARE IN MM
 LINEAR TOLERANCE $\pm 5.0\text{mm}$, ANGLES $\pm 0.5^\circ$
 DO NOT SCALE DRAWING - Use Figure Dimensions Only
IF IN DOUBT, ASK

TITLE: **5800LT HydroStore**
 NOTES:

DWG NO: 14-018-001	ISSUE DATE: 01/08/2018
REVISION: 00	DRAWN BY: JC
SHEET: 2 of 3	
FILE NAME: RWH5800.dft	

Harlequin
 MANUFACTURING FOR TOMORROW

Harlequin Manufacturing Ltd
 21 Clarehill Road
 Moira
 Co. Armagh
 BT67 0PB
 www.harlequin-mfg.com



Revision	Issue Date	ECN Reference

THE INFORMATION, DATA, AND DRAWINGS EMBODIED IN THIS DOCUMENT ARE STRICTLY CONFIDENTIAL AND ARE SUPPLIED WITH THE UNDERSTANDING THAT THEY WILL NOT BE DISCLOSED TO ANY THIRD PARTIES WITHOUT THE PRIOR WRITTEN CONSENT OF HARLEQUIN MANUFACTURING LTD

COPYRIGHT Sole property of Harlequin Manufacturing Ltd. All rights reserved

UNLESS OTHERWISE SPECIFIED: DIMENSIONS ARE IN MM
 LINEAR TOLERANCE $\pm 5.0\text{mm}$, ANGLES $\pm 0.5^\circ$

DO NOT SCALE DRAWING - Use Figure Dimensions Only

IF IN DOUBT, ASK

TITLE: **5800LT HydroStore**

NOTES:

DWG NO: 14-018-001	ISSUE DATE: 01/08/2018
REVISION: 00	DRAWN BY: JC
SHEET: 3 of 3	
FILE NAME: RWH5800.dft	

Harlequin
 MANUFACTURING FOR TOMORROW

Harlequin Manufacturing Ltd
 21 Clarehill Road
 Moira
 Co. Armagh
 BT67 0PB
 www.harlequin-mfg.com