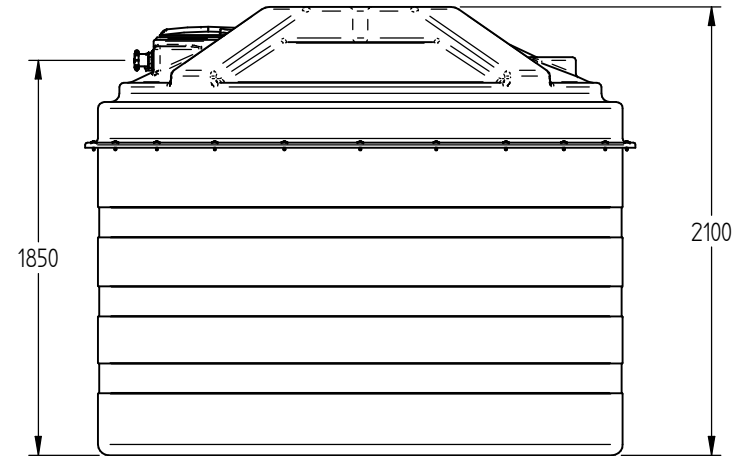
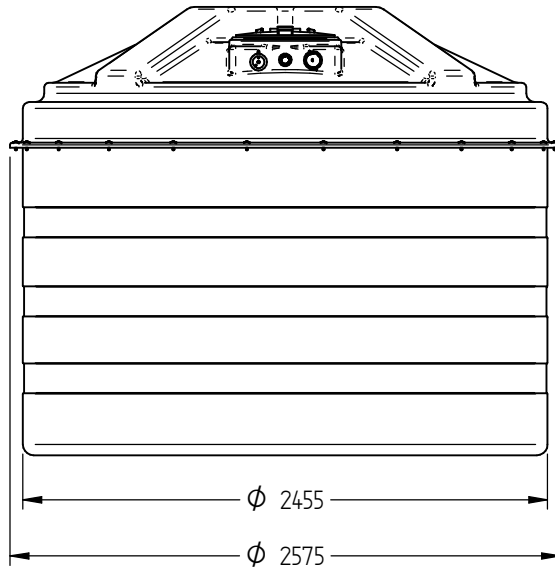
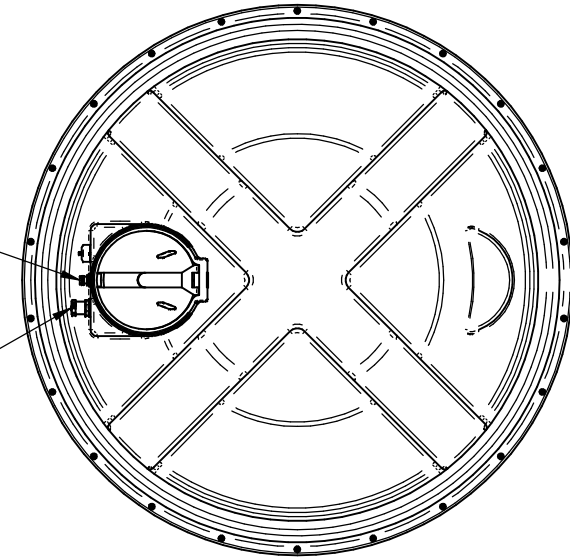


SUCTION
1" BSP(M)

FILL POINT
2" BSP(M)



00	01/04/2010	ECN087
Revision	Issue Date	ECN Reference

THE INFORMATION, DATA, AND DRAWINGS EMBODIED IN THIS DOCUMENT ARE STRICTLY CONFIDENTIAL AND ARE SUPPLIED WITH THE UNDERSTANDING THAT THEY WILL NOT BE DISCLOSED TO ANY THIRD PARTIES WITHOUT THE PRIOR WRITTEN CONSENT OF HARLEQUIN MANUFACTURING LTD
COPYRIGHT Sole property of Harlequin Manufacturing Ltd. All rights reserved

UNLESS OTHERWISE SPECIFIED: DIMENSIONS ARE IN MM
 LINEAR TOLERANCE ± 0.25mm, ANGLES ±0.5°
 DO NOT SCALE DRAWING - Use Figure Dimensions Only
IF IN DOUBT, ASK

TITLE: **5400LT Blue Bund**
 NOTES:

DWG NO: 13-008-002	ISSUE DATE: 01/06/2011
REVISION: 01	DRAWN BY: JC
SHEET: 1 of 1	
FILE NAME: 5400BLB.dft	

Harlequin
 MANUFACTURING FOR TOMORROW

Harlequin Manufacturing Ltd
 21 Clarehill Road
 Moira
 Co. Armagh
 BT67 0PB
 www.harlequin-mfg.com